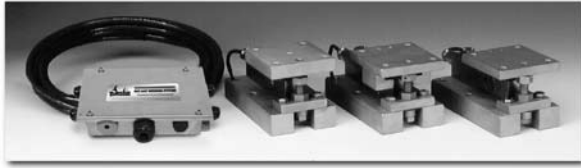


Load Cells Now Have
30ft of CABLE

Paramounts® Stainless Steel



LOAD CELL CERTIFICATIONS



Except 520 lb

IP66/68



STANDARD FEATURES

- Capacities (per module): 225lb-22,500lb (1 kN/102.1 kg-100kN/10,205.9kg)
- All stainless steel construction
- Bolt-in-place design; module bolts directly to tank leg without requiring additional load buttons or mounting plates
- Load cell outputs are matched to $\pm 0.07\%$, minimizing maintenance costs
- Unique design allows for thermal expansion/contraction
- Low-profile, self-checking design
- Vessel is free to slide laterally on Teflon®-coated surfaces
- 2-year limited warranty

Complete Kit Includes:

- 1 JB4SS NEMA 4X stainless steel excitation trim junction box
- 1 fixed-pin module, 1 side-stop module, and 1 or 2 free-sliding assemblies. Each module is complete with a FLINTEC SB4 or SB10 (520lb) stainless steel hermetically-sealed load cell
- 25ft of Hostile Environment EL147HE SURVIVOR® load cell cable

Teflon is a registered trademark of El. Dupont

SPECIFICATIONS

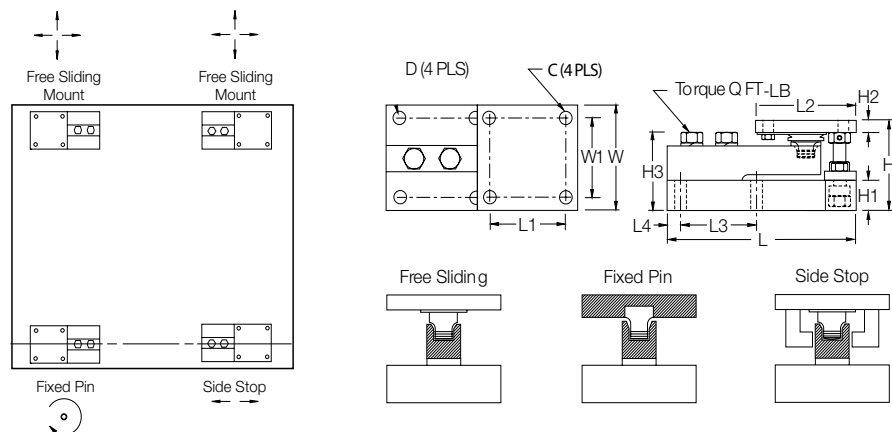
DIMENSIONS

RATED CAPACITY lb/inches	C	D	H	H1	*H2	**H2	H3	L	L1	L2	L3	L4	W	W1	Q (FT-LB)
520 (2.3kN)	.375	.437	3.49	1.00	.50	.75	2.98	7.51	3.00	4.00	3.00	.50	4.00	3.00	65
1125-5200 (5-23kN)	.437	.437	3.58	1.25	.50	.75	3.06	7.51	3.00	4.00	3.00	.50	4.00	3.00	65
11,250 (50kN)	.562	.562	4.66	1.50	.62	1.00	4.09	9.19	3.87	5.00	3.87	.56	5.00	3.87	295
22,500 (100kN)	.688	.688	6.41	2.00	.75	1.25	5.73	11.46	4.75	6.00	4.75	.69	6.00	4.75	515
kg/mm															
236.1	9.5	11.1	88.6	25.4	12.7	19.1	75.7	190.8	76.2	101.6	76.2	12.7	101.6	76.2	
510.8-2360	11.1	11.1	90.9	31.8	12.7	19.1	77.7	190.8	76.2	101.6	76.2	12.7	101.6	76.2	
5107.5	14.3	14.3	118.4	38.1	15.7	25.4	103.9	233.4	98.3	127.0	98.3	14.2	127.0	98.3	
10,215.0	17.5	17.5	162.8	50.8	19.1	31.8	145.5	291.1	120.7	152.4	120.7	17.5	152.4	120.7	

kN = Kilonewtons

* Side Stop and Free Sliding units

** Fixed Pin units



VESSEL ARRANGEMENT

When arranged as illustrated, the vessel is fixed at one corner but is able to slide freely as indicated. This ensures that there is minimal side loading on the cells and at the same time the vessel is self-checking. The unique, patented blind load hole technology used in these mounts introduces the load at the neutral axis of the load cell which helps minimize the effects of side loads.

**LOAD RATING
(PER MODULE)**

PART #

NTEP/OIML C3 3-Module Kit

1125lb (5kN*/510.8kg)	29883
2250lb (10kN*/1021.5kg)	29884
5200lb (23kN*/2360.8kg)	29885
11,250lb (50kN*/5107.5kg)	29886

NTEP/OIML C3 4-Module Kit

1125lb (5kN*/510.8kg)	29879
2250lb (10kN*/1021.5kg)	29880
5200lb (23kN*/2360.8kg)	29881
11,250lb (50kN*/5107.5kg)	29882

Non-NTEP 3-Module Kit

520lb (2.3kN*/236.1kg)	38207
1125lb (5kN*/510.8kg)	17991
2250lb (10kN*/1021.5kg)	17992
5200lb (23kN*/2360.8kg)	17993
11,250lb (50kN*/5107.5kg)	17994
22,500lb (100kN*/10,215.0kg)	17995

Non-NTEP 4-Module Kit

520lb (2.3kN*/236.1kg)	38208
1125lb (5kN*/510.8kg)	17998
2250lb (10kN*/1021.5kg)	17999
5200lb (23kN*/2360.8kg)	18000
11,250lb (50kN*/5107.5kg)	18001
22,500lb (100kN*/10,215.0kg)	18002

* kN = kilonewtons, 1 kN = 224.8089lb