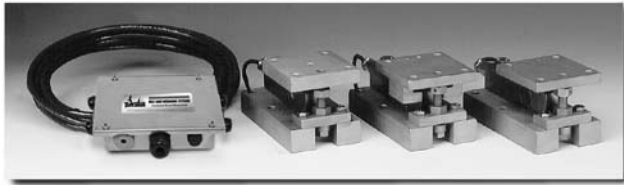


Load Cells Now Have  
30ft of CABLE

# Paramounts® EP



Available in configuration with three or four mounting assemblies.

## LOAD CELL CERTIFICATIONS



## STANDARD FEATURES

- Capacities (per module): 1125-22,500lb (1 kN-102.1 kg-100kN/10,205.9kg)
- NTEP Certified load cells
- Unique design allows for thermal expansion/contraction
- Jacking screw allows empty vessel to be lifted clear of load cell for maintenance
- Unique blind load hole eliminates unwanted side and eccentric loads
- Vessel is free to slide laterally on Teflon®-coated surfaces
- Load cell outputs are matched to ±.07% allowing replacement without further calibration

### Complete Kit Includes:

- 1 JB4ES NEMA 4X stainless steel excitation trim junction box
- 1 fixed-pin module, 1 side-stop module, and 1 or 2 free-sliding assemblies
- Flintec SB5 NTEP Certified 1:5000d, Class III, stainless steel environmentally-protected load cell
- 25ft of our hostile environment EL147HE SURVIVOR® load cell cable

Teflon is a registered trademark of E.I. Dupont

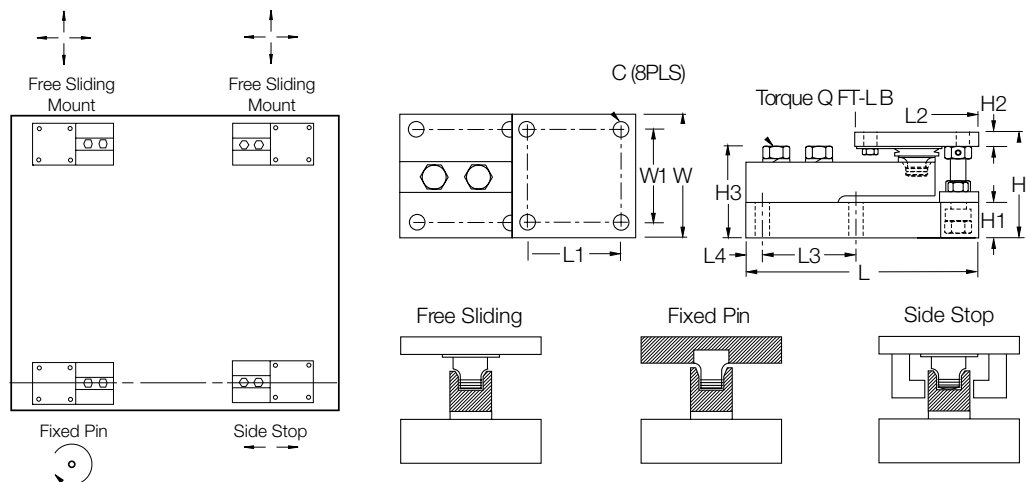
## SPECIFICATIONS

### DIMENSIONS

RATED CAPACITY lb/inches	C	H	H1	*H2	**H2	H3	L	L1	L2	L3	L4	W	W1 (FT- LB)	Q
1125-4500 (5-23 kN†)	.437	3.58	1.25	.50	.75	3.06	7.51	3.00	4.00	3.00	.50	4.00	3.00	65
11,250 (50 kN†)	.562	4.66	1.50	.62	1.00	4.09	9.19	3.87	5.00	3.87	.56	5.00	3.87	295
22,500 (100 kN†)	.688	6.41	2.00	.75	1.25	5.73	11.46	4.75	6.00	4.75	.69	6.00	4.75	515
kg/mm														
510.8-2041	11.1	90.9	31.8	12.7	19.1	77.7	190.8	76.2	101.6	76.2	12.7	101.6	76.2	
5107.5	14.3	118.4	38.1	15.7	25.4	103.9	233.4	98.3	127.0	98.3	14.2	127.0	98.3	
10,215.0	17.5	162.8	50.8	19.1	31.8	145.5	291.1	120.7	152.4	120.7	17.5	152.4	120.7	

\* Side stop and free-slide units

\*\* Fixed pin units



### VESSEL ARRANGEMENT

When arranged as illustrated, the vessel is fixed at one corner but is able to slide freely as indicated. This ensures that there is minimal side loading on the cells and at the same time the vessel is self-checking. The unique, patented blind load hole technology used in these mounts introduces the load at the neutral axis of the load cell which helps minimize the effects of side loads.

**LOAD RATING (LOAD CELL CAPACITY)****PART #****NTEP 3-Module Kit**

1125lb (5kN*/510.8kg) .....	33683 .....
2250lb (10kN*/1021.5kg) .....	33682 .....
4500lb (20kN*/2041.2kg) .....	33681 .....
11,250lb (50kN*/5107.5kg) .....	33680 .....

**NTEP 4-Module Kit**

1125lb (5kN*/510.8kg) .....	33678 .....
2250lb (10kN*/1021.5kg) .....	33677 .....
4500lb (20kN*/2041.2kg) .....	33676 .....
11,250lb (50kN*/5107.5kg) .....	33675 .....

**Non-NTEP 3-Module Kit**

22,500lb (100kN*/10,205.8kg) .....	33679 .....
------------------------------------	-------------

**Non-NTEP 4-Module Kit**

22,500lb (100kN*/10,215.0kg) .....	33674 .....
------------------------------------	-------------

\* kN = kilonewtons, 1 kN = 224.8089lb