

NEW**Summit® SD-1000**

Dialysis Scale

Model SD-1000

**STANDARD FEATURES**

- 36 in W x 36 in L - 1,000lb mild steel painted scale with anti-slip rubber surface
- 36 in (H) x 30 in (L) handrail and mounting hardware
- Large 1 in liquid crystal display (LCD)
- AC adaptor and internal rechargeable battery
- Pushbutton or manual entry of tare weight
- Unit of measure: lb only, kg only, lb/kg
- 10ft interface cable from scale to indicator
- RS-232 port
- BMI (body mass index) function
- Reweigh function
- Hold function

APPROVALS**SPECIFICATIONS****POWER:**

9VDC, provided by AC adaptor or internal rechargeable battery

BATTERY TYPE:

Sealed lead acid

BATTERY USE:

75 hours

Automatic power-off can be configured from 0-20 minutes

APPROVALS:

CE

OPERATING TEMPERATURE:

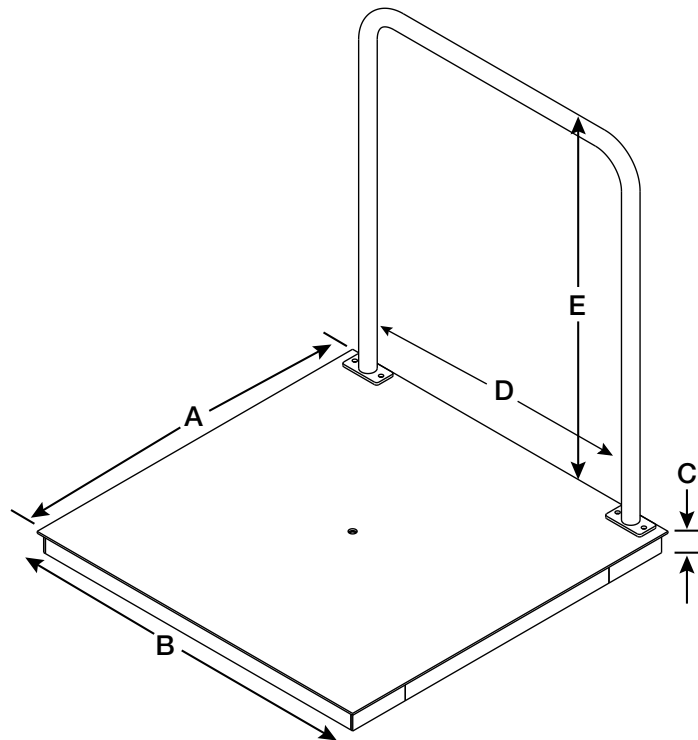
50°F to 104°F
(14°C to 40°C)

WARRANTY:

Two-year limited warranty

DIMENSIONS

A	36 in	D	31.5 in
B	36 in	E	37 in
C	3 in		



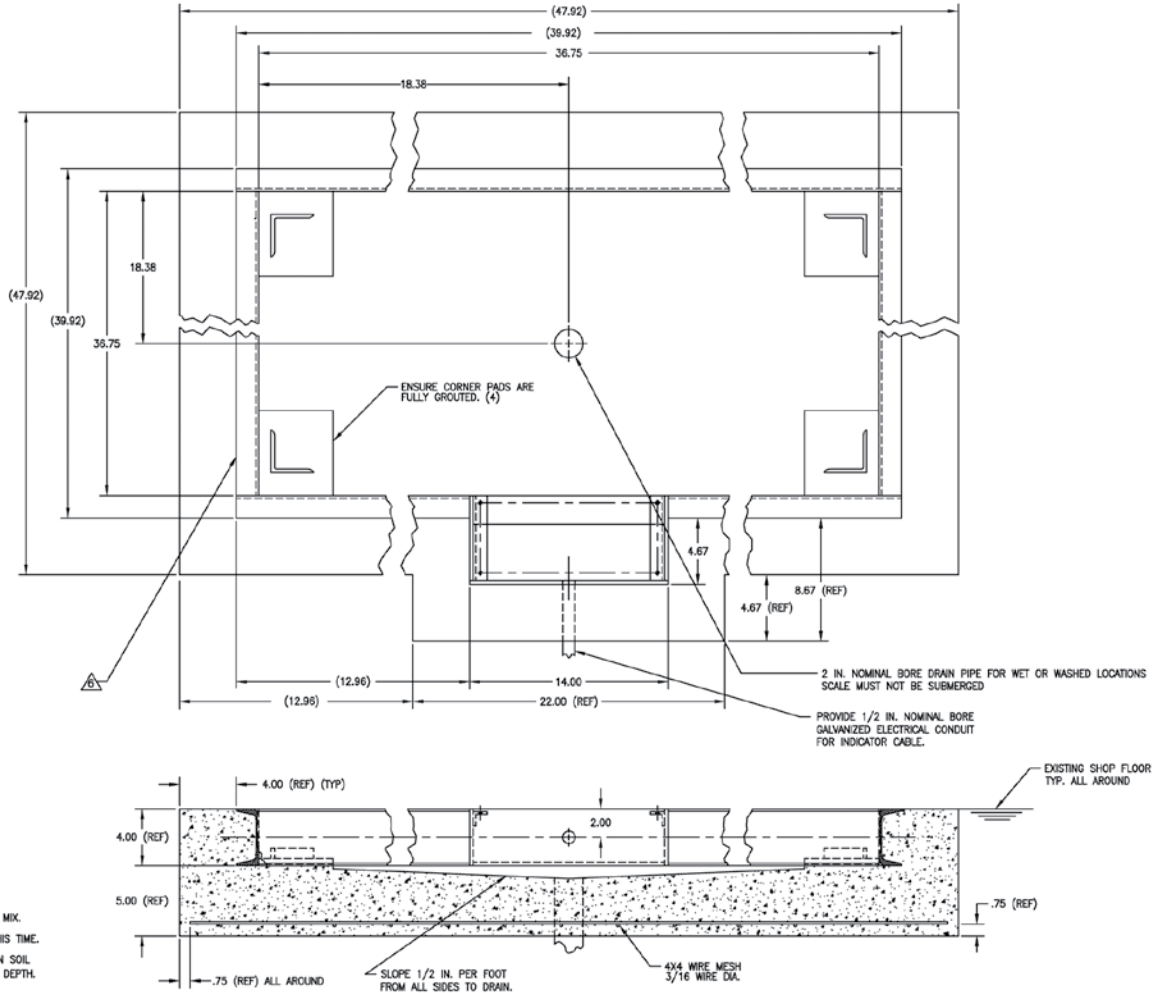
C&M SCALE
CALL FOR A QUOTE!
www.cmscale.com

Toll Free (800) 243-3721
Phone # (708) 771-0100
Fax # (708) 771-0195

PART #	MODEL	CAPACITY	EST. SHIP WEIGHT
106789.....	SD-1000.....	1000lb (500kg) x 0.2lb (0.1 kg).....	295 lb.....

OPTIONS/ACCESSORIES

106905.....	Pit frame 36 x 36 in painted mild steel.....	100lb.....
-------------	--	------------



STRENGTH 5000 PSI OR 6-BAG MIX.
 CURE PERIODICALLY DURING THIS TIME.
 STABLE SOIL CONDITIONS. WHEN SOIL
 ICE FOUNDATION AT SUFFICIENT DEPTH.
 WE RECOMMEND THE USE OF
 AND THAT THE JUNCTION BOX BE MOUNTED

COVER BOTTOM AND SIDES.

PIECES OF 2 INCH ANGLE WILL BE SUBSTITUTED FOR THE 4 INCH CHANNEL.

C&M SCALE
 CALL FOR A QUOTE!
www.cmscale.com

Toll Free (800) 243-3721
 Phone # (708) 771-0100
 Fax # (708) 771-0195