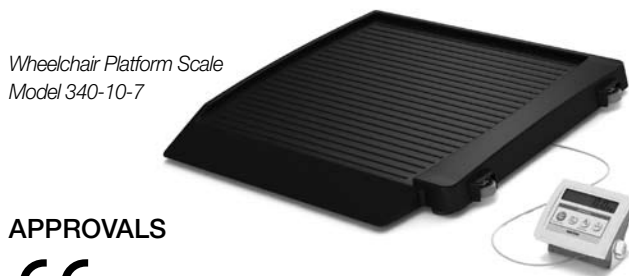


Wheelchair Scales



STANDARD FEATURES

- Capacity: 700lb x 0.2lb (310kg x 0.1kg) or 800lb x 0.2lb (400kg x 0.1kg)
- Platform dimensions: 29.5in x 32in
- Built-in ramp
- Large 1 in LCD display
- Ability to manually enter the tare weight of a wheelchair
- AC adaptor and internal rechargeable battery
- BMI (body mass index) function
- Reweigh function
- Hold function
- Unit of measure: lb only, kg only, lb/kg
- RS-232 port
- Updatable firmware

Wheelchair Platform:

- 6.5ft cable between scale base and indicator

APPROVALS



SPECIFICATIONS

POWER:

9VDC, provided by AC adaptor or internal rechargeable battery

BATTERY TYPE:

Sealed lead acid

BATTERY USE:

75 hours
Automatic power-off can be configured from 0-20 minutes

OPERATING TEMPERATURE:

50°F to 104°F (14°C to 40°C)

APPROVALS:

CE

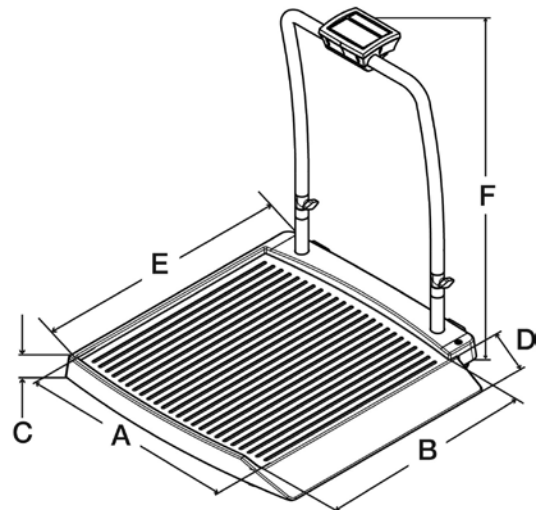
WARRANTY:

Two-year limited warranty

DIMENSIONS			
Wheelchair Platform Scale			
A	29.5in	D	5.25in
B	32in	E	37.5in
C	2.375in	F	N/A
Wheelchair Scale			
A	29.5in	D	5.25in
B	32in	E	37.5in
C	2.375in	F	39.75in



Wheelchair scale in folded position



C&M SCALE
CALL FOR A QUOTE!
www.cmscale.com

Toll Free (800) 243-3721
Phone # (708) 771-0100
Fax # (708) 771-0195

PART #	MODEL	CAPACITY	EST. SHIP WEIGHT
Wheelchair Scale			
100202.....	340-10-2	700lb (310kg) x 0.2lb (0.1 kg) includes 120V AC adaptor	72lb.....
100204.....	340-10-2	700lb (310kg) x 0.2lb (0.1 kg) includes 230V AC adaptor	72lb.....
106522.....	340-10-2	800lb (400kg) x 0.2lb (0.1 kg) includes 120VAC adaptor	72 lb
106523.....	340-10-2	800lb (400kg) x 0.2lb (0.1 kg) includes 230VAC adaptor	72 lb
Wheelchair Platform Scale			
100197.....	340-10-7	700lb (310kg) x 0.2lb (0.1 kg) includes 120V AC adaptor	60lb.....
100199.....	340-10-7	700lb (310kg) x 0.2lb (0.1 kg) includes 230V AC adaptor	60lb.....
106525.....	340-10-7	800lb (450kg) x 0.2lb (0.1 kg) includes 120VAC adaptor	60lb.....
106526.....	340-10-7	800lb (400kg) x 0.2lb (0.1 kg) includes 230VAC adaptor	60lb.....

OPTIONS

100719.....	RS-232 cable, 4 ft cable DB9 female to RJ-45 (use with Healthweigh products).....
72704.....	USB to serial convertor

C&M SCALE
 CALL FOR A QUOTE!
www.cmscale.com

Toll Free (800) 243-3721
 Phone # (708) 771-0100
 Fax # (708) 771-0195