

# Digital Physician Scales



Eye Level  
Model 140-10-5



Waist Level  
Model 140-10-6



Floor Level  
Model 140-10-7

## STANDARD FEATURES

- Capacity: 550lb x 0.2lb (250kg x 0.1 kg)
- Platform Dimensions: 14 in x 14.5 in x 3 in (355.6mm x 368.3mm x 76.2mm)
- Large 1 in LCD display
- AC adaptor and internal rechargeable battery
- Low battery indication/automatic power-off
- BMI (body mass index) function
- Reweigh function
- Hold function
- Unit of measure: lb only, kg only, lb/kg
- RS-232 output
- Updatable firmware

### Eye-Level Physician Scale

- Height measuring rod measures from 35 in to 82 in x 1/8 in (90 cm to 209 cm x 1 mm)
- Integrated wheels for ease of portability

### Waist-Level Physician Scale

- Integrated wheels for ease of portability

### Floor-Level Physician Scale

- 6.5ft cable between scale base and indicator

## APPROVALS



## SPECIFICATIONS

### POWER:

9VDC, provided by AC adaptor or internal rechargeable battery

### BATTERY TYPE:

Sealed lead acid

### BATTERY USE:

75 hours

Automatic power-off can be configured from 0-20 minutes

### OPERATING TEMPERATURE:

50°F to 104°F (14°C to 40°C)

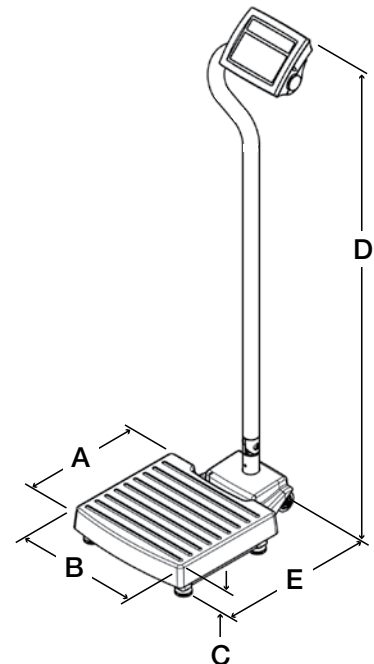
### APPROVALS:

CE

### WARRANTY:

Two-year limited warranty

DIMENSIONS			
<b>Eye Level</b>			
<b>A</b>	14 in	<b>D</b>	54.45 in
<b>B</b>	14.5 in	<b>E</b>	20.5 in
<b>C</b>	3 in		
<b>Waist Level</b>			
<b>A</b>	14 in	<b>D</b>	50.5 in
<b>B</b>	14.5 in	<b>E</b>	20.5 in
<b>C</b>	3 in		
<b>Floor Level</b>			
<b>A</b>	14 in	<b>D</b>	N/A
<b>B</b>	14.5 in	<b>E</b>	N/A
<b>C</b>	3 in		



Transport/Carrying Case  
for Floor Level Scale

<b>PART #</b>	<b>MODEL</b>	<b>CAPACITY</b>	<b>EST. SHIP WEIGHT</b>
<b>Eye-Level Physician Scale</b>			
100124.....	140-10-5 .....	550 lb (250 kg) x 0.2 lb (0.1 kg) includes 120VAC adaptor .....	28lb .....
100127.....	140-10-5 .....	550 lb (250 kg) x 0.2 lb (0.1 kg) includes 230VAC adaptor .....	28lb .....
<b>Waist-Level Physician Scale</b>			
100189.....	140-10-6 .....	550 lb (250 kg) x 0.2 lb (0.1 kg) includes 120VAC adaptor .....	25lb .....
100191.....	140-10-6 .....	550 lb (250 kg) x 0.2 lb (0.1 kg) includes 230VAC adaptor .....	2lb .....
<b>Floor-Level Physician Scale</b>			
100185.....	140-10-7 .....	550 lb (250 kg) x 0.2 lb (0.1 kg) includes 120VAC adaptor .....	16lb .....
100187.....	140-10-7 .....	550 lb (250 kg) x 0.2 lb (0.1 kg) includes 230VAC adaptor .....	16lb .....
<b>Options</b>			
100719.....	RS-232 cable, 4 ft cable DB9 female to RJ-45 (use with Healthweigh products).....		
72704.....	USB to serial converter .....		
107445.....	Transport/carrying case (Floor Level Scale only) .....		

**C&M SCALE**  
 CALL FOR A QUOTE!  
[www.cmscale.com](http://www.cmscale.com)

Toll Free (800) 243-3721  
 Phone # (708) 771-0100  
 Fax # (708) 771-0195